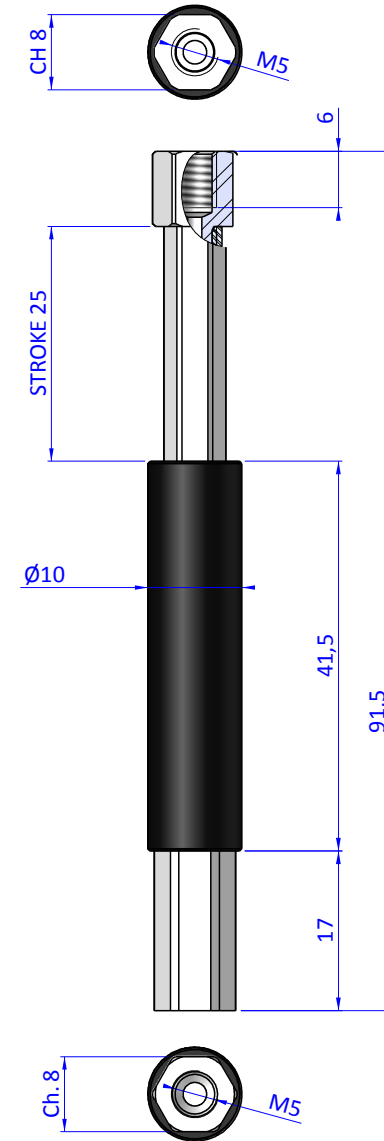
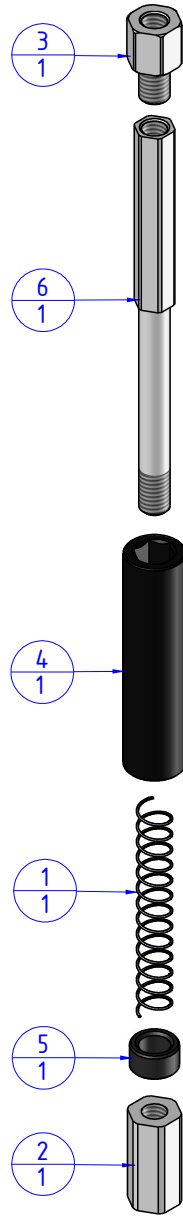



THE PROPERTY OF THE DRAWING IS ESTABLISHED BY LAW. IT IS FORBIDDEN TO PRODUCE OR SHOW IT TO THIRD PARTY, WITHOUT A WRITTEN AGREEMENT.

| Item | Name | Qty. |
|------|--------------|------|
| 1 | M.5.8X38.50B | 1 |
| 2 | VSN.10.1 | 1 |
| 3 | VSN.10.2 | 1 |
| 4 | VSN.1025.2.1 | 1 |
| 5 | VSN.1025.3 | 1 |
| 6 | VSN.1025.4 | 1 |



Format A3

UNI 936-76

| | | | | |
|--|--|----------------|---------|-------------|
|  FPS FPSERVICES AUTOMATION | | DESIGNED FROM | | REVIEW |
| | | FPS Automation | | A |
| GENERAL TOLERANCE | | DATE | WEIGHT | |
| UNI - ISO 2768 | | 27/05/2019 | 0,011kg | |
| CLASSE f | | CODE | | |
| | | CA.SDN.1025 | | CA.SDN.1025 |